

# Panel Inside Corner

## DESIGN FEATURES

Design provides a minimal exposed inside corner. For use with 7/16" (11mm) or smaller panel products only.

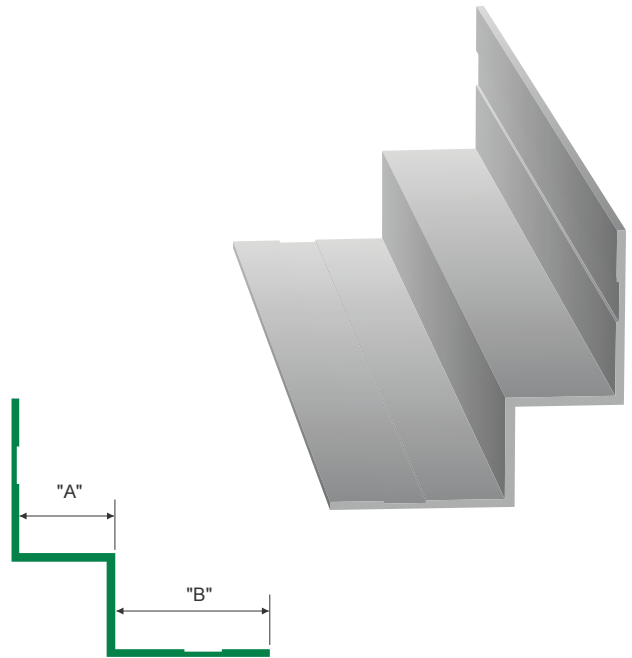
## MATERIAL

6063-T5 .045" ± .005 extruded aluminum alloy with proprietary coating that protects against harsh weather conditions and allows for paint adhesion.

## FINISH

Unless specified all XtremeTrim® items are provided in primed finish. Also available in popular siding/soffit colors in standard face only color match or full coverage CoastalColorCoating™. Clear Anodized is stocked and custom anodized is available (minimums apply).

Illustration not to scale



ITEM ID	"A"	"B"	SIDING SIZE
XIC516	1/2"	13/16"	5/16"
XIC716	5/8"	1-1/2"	7/16"

All parts are 10' Length unless otherwise indicated

