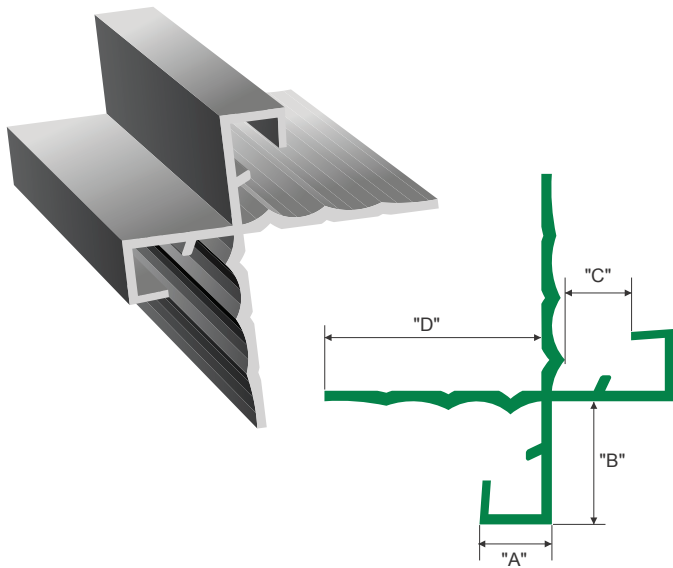


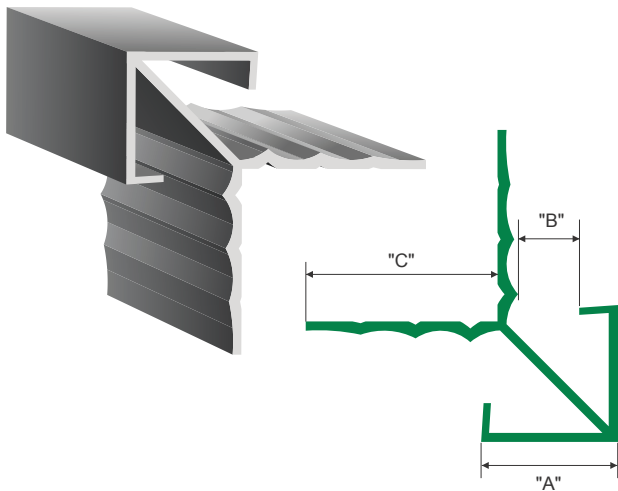
# XtremeTrim® Water Management System



**XtremeTrim® Reveal Outside Corner**  
US Patent #9,200,455

| ITEM ID | "A"  | "B"  | "C"   | "D"     | SIDING SIZE |
|---------|------|------|-------|---------|-------------|
| W516OCR | 3/8" | 5/8" | 5/16" | 1-1/16" | 5/16"       |
| W716OCR | 3/8" | 3/4" | 7/16" | 1-1/16" | 7/16"       |

All parts are 10' Length unless otherwise indicated



**XtremeTrim® Low Profile Outside Corner**  
US Patent #9,200,455

| ITEM ID  | "A"  | "B"   | "C"     | SIDING SIZE |
|----------|------|-------|---------|-------------|
| W516OCLP | 3/4" | 5/16" | 1-1/16" | 5/16"       |
| W716OCLP | 1"   | 7/16" | 1-1/16" | 7/16"       |

All parts are 10' Length unless otherwise indicated

## WATER MANAGEMENT FEATURES

The patented, unique ribbing of the back leg mitigates water intrusion by providing multiple downflow channels to move water. The stand off rib on the out leg of the profiles assure proper panel application.

**W series profiles must be used together as a system and not with other XtremeTrim® profiles.**

## DESIGN FEATURES

**Open Outside Corner** : Provides a clean, open outside corner inset style which compliments the "W" Series Vertical Reveal System.

**Low Profile Outside Corner** : Ideal corner for use with "W" Series Reveal Systems where a more traditional but still minimal corner style is desired.

## MATERIAL

6063-T5 .050" ± .005 extruded aluminum alloy with proprietary coating that protects against harsh weather conditions and allows for paint adhesion.

## FINISH

Unless specified all XtremeTrim® items are provided in primed finish. Also available in popular siding/soffit colors in standard face only color match or full coverage CoastalColorCoating™. Clear Anodized and custom anodized are available (minimums apply).

Illustration not to scale

