

XtremeTrim® Water Management System

DESIGN FEATURES

Horizontal Z : Provides clean and consistent horizontal transition between panels. Designed to work in conjunction with XtremeTrim® Vertical Reveal and Siding H-Mold.

J Mold : Provides a clean finish at openings, edges of panels or planks and at material transitions. Specifically designed to work in conjunction with other "W" Series XtremeTrim® profiles. Return leg provides a clean edge for horizontals to stop.

MATERIAL

6063-T5 .050" ± .005 extruded aluminum alloy with proprietary coating that protects against harsh weather conditions and allows for paint adhesion.

FINISH

Unless specified all XtremeTrim® items are provided in primed finish. Also available in popular siding/soffit colors in standard face only color match or full coverage CoastalColorCoating™. Clear Anodized is stocked and custom anodized is available (minimums apply).

NOTE

Do not install XtremeTrim® Horizontal Z and J Mold on horizontal applications where the exterior flange can catch water.

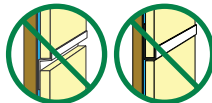
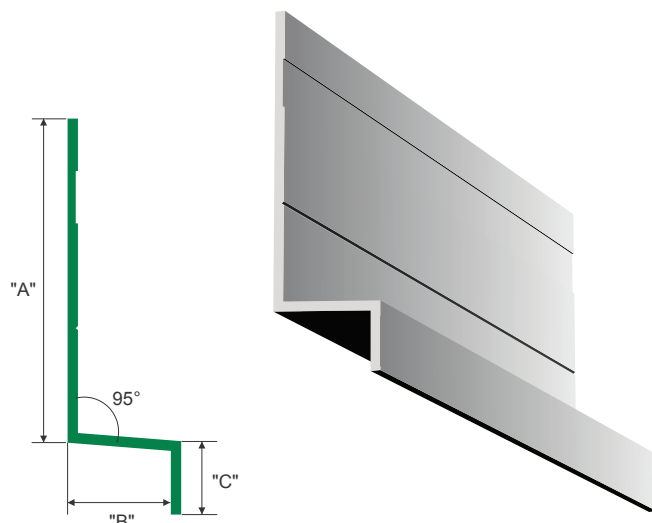
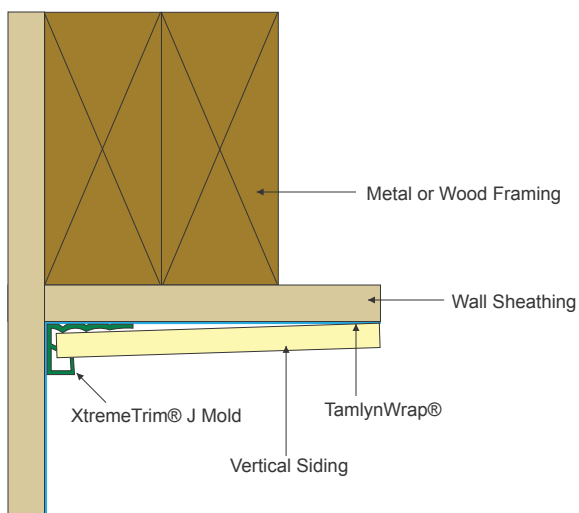
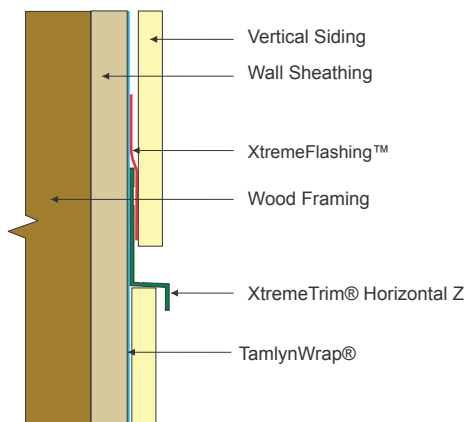


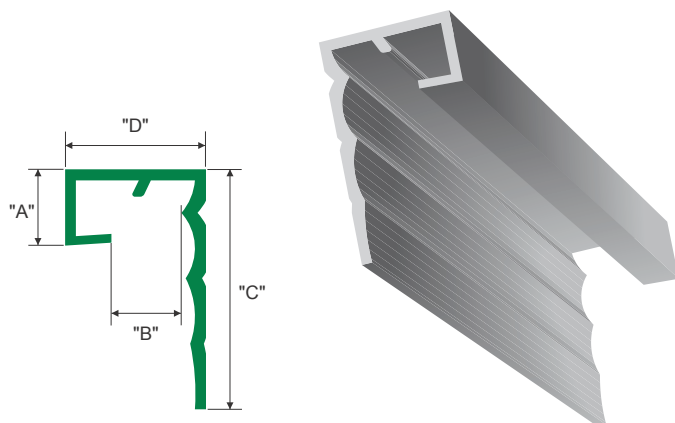
Illustration not to scale



XtremeTrim® Horizontal Z

ITEM ID	"A"	"B"	"C"	SIDING SIZE
W516Z	1-9/16"	1/2"	3/8"	5/16"
W716Z	1-9/16"	5/8"	3/8"	7/16"

All parts are 10' Length unless otherwise indicated



XtremeTrim® J Mold
US Patent #9,200,455

ITEM ID	"A"	"B"	"C"	"D"	SIDING SIZE
W516JM	3/8"	5/16"	1-1/8"	5/8"	5/16"
W716JM	3/8"	7/16"	1-1/8"	3/4"	7/16"

All parts are 10' Length unless otherwise indicated

WATER MANAGEMENT FEATURES

The patented, unique ribbing of the back leg mitigates water intrusion by providing multiple downflow channels to move water. The stand off rib on the out leg of the profiles assure proper panel application.

W series profiles must be used together as a system and not with other XtremeTrim® profiles.