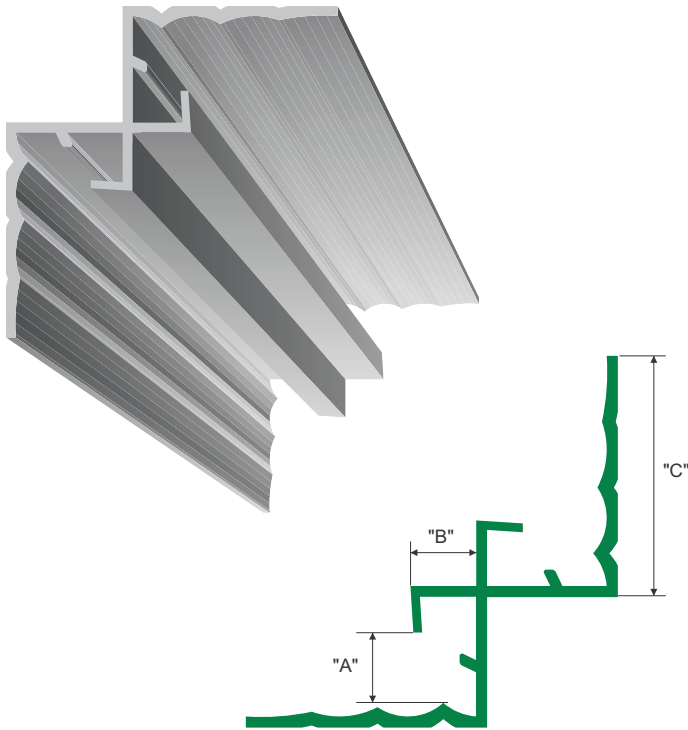


XtremeTrim® Water Management System



XtremeTrim® Low Profile Inside Corner
US Patent #9,200,455

ITEM ID	"A"	"B"	"C"	SIDING SIZE
W516ICLP	5/16"	3/8"	1-1/8"	5/16"
W716ICLP	7/16"	3/8"	1-1/8"	7/16"

All parts are 10' Length unless otherwise indicated

WATER MANAGEMENT FEATURES

The patented, unique ribbing of the back leg mitigates water intrusion by providing multiple downflow channels to move water. The stand off rib on the out leg of the profiles assure proper panel application.

W series profiles must be used together as a system and not with other XtremeTrim® profiles.

DESIGN FEATURES

Minimal face produces a clean, pleasing durable "W" Series inside corner for siding panels or lap siding.

MATERIAL

6063-T5 .050" ± .005 extruded aluminum alloy with proprietary coating that protects against harsh weather conditions and allows for paint adhesion.

FINISH

Unless specified all XtremeTrim® items are provided in primed finish. Also available in popular siding/soffit colors in standard face only color match or full coverage CoastalColorCoating™. Clear Anodized is stocked and custom anodized is available (minimums apply).

Illustration not to scale

