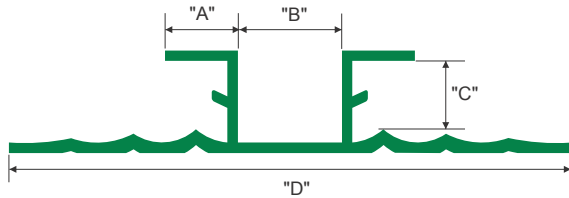
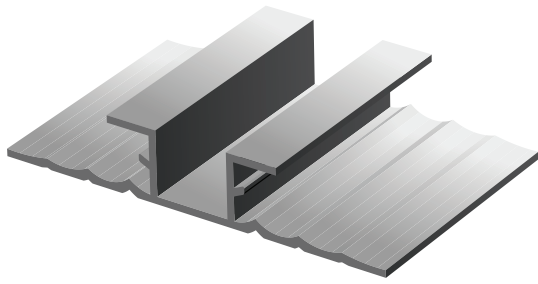


# XtremeTrim® Water Management System - Verticals



**XtremeTrim® Vertical Reveal**  
US Patent #9,200,455

ITEM ID	"A"	"B"	"C"	"D"	SIDING SIZE
W516RV	3/8"	1/2"	5/16"	2-11/16"	5/16"
W716RV	3/8"	1/2"	7/16"	2-11/16"	7/16"

All parts are 10' Length unless otherwise indicated

## DESIGN FEATURES

**Vertical Reveal** : Designed to create a uniform, aesthetically consistent vertical reveal between panels.

**Siding H Mold** : Economic profile designed to cover vertical joints in siding. Longer lasting and more effective than contractor grade caulk. Provides a smooth seam at joints.

## MATERIAL

6063-T5 .050" ± .005 extruded aluminum alloy with proprietary coating that protects against harsh weather conditions and allows for paint adhesion.

## FINISH

Unless specified all XtremeTrim® items are provided in primed finish. Also available in popular siding/soffit colors in standard face only color match or full coverage CoastalColorCoating™. Clear Anodized is stocked and custom anodized is available (minimums apply).

## NOTE

Use of the XtremeTrim® Vertical Reveal and Vertical Siding H-Mold at horizontal joints is not recommended.

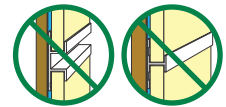
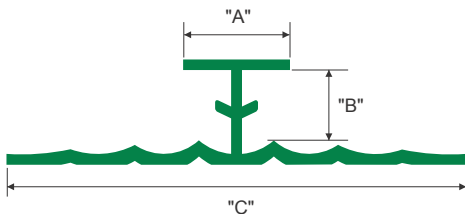
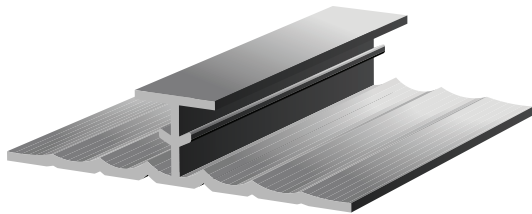


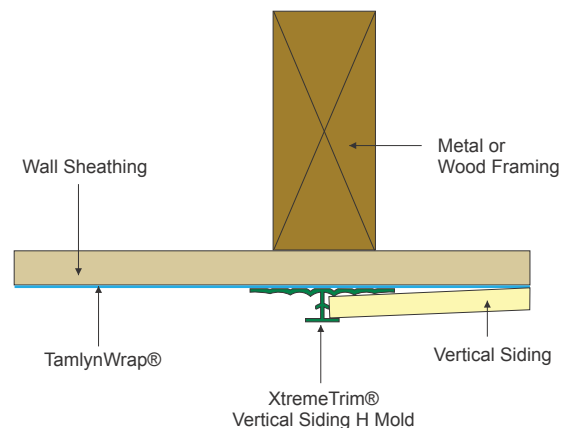
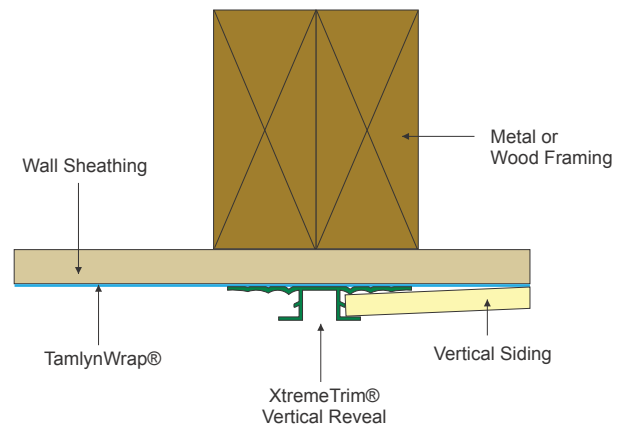
Illustration not to scale



**XtremeTrim® Vertical Siding H Mold**  
US Patent #9,200,455

ITEM ID	"A"	"B"	"C"	SIDING SIZE
W516HM	1/2"	5/16"	2-1/8"	5/16"
W716HM	3/4"	7/16"	2-1/8"	7/16"

All parts are 10' Length unless otherwise indicated



## WATER MANAGEMENT FEATURES

The patented, unique ribbing of the back leg mitigates water intrusion by providing multiple downflow channels to move water. The stand off rib on the out leg of the profiles assure proper panel application.

**W series profiles must be used together as a system and not with other XtremeTrim® profiles.**