

# Combination Vertical Reveal - 2 Piece

## DESIGN FEATURES

Designed to create a uniform, aesthetically consistent vertical reveal between panel and lap siding. The two piece design permits application of the base part first and then installation of the cover cap at a later time. In tight fit situations this may be more convenient than using the standard vertical reveal. However, due to the natural expansion and contraction of aluminum, all two piece caps must be secured by either adhesive or screw or pop rivet.

## MATERIAL

6063-T5 .050" ± .005 extruded aluminum alloy with proprietary coating that protects against harsh weather conditions and allows for paint adhesion.

## FINISH

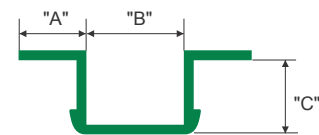
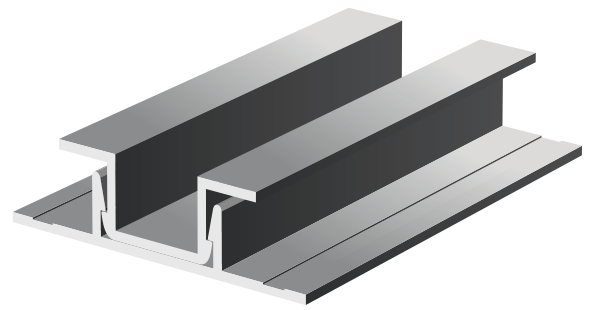
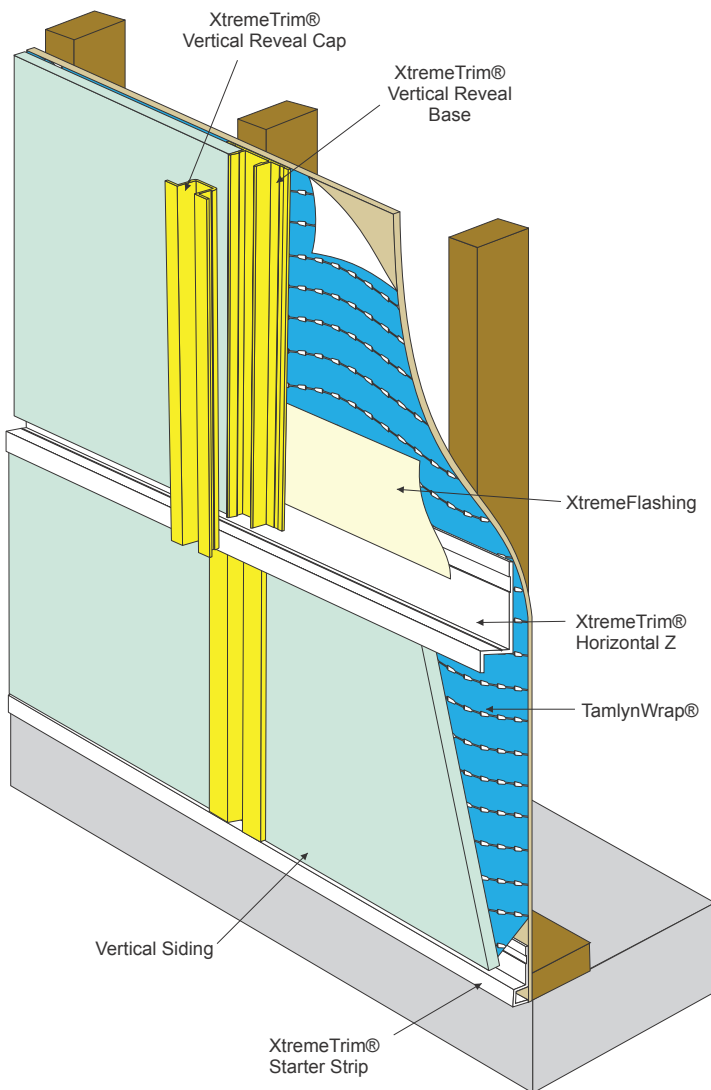
Unless specified all XtremeTrim® items are provided in primed finish. Also available in popular siding/soffit colors in standard face only color match or full coverage CoastalColorCoating™. Clear Anodized is stocked and custom anodized is available (minimums apply).

## NOTE

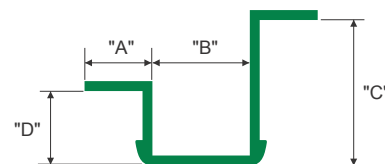
Use of the XtremeTrim® Vertical Reveal at horizontal joints is not recommended.



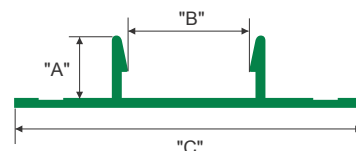
Illustration not to scale



RVC



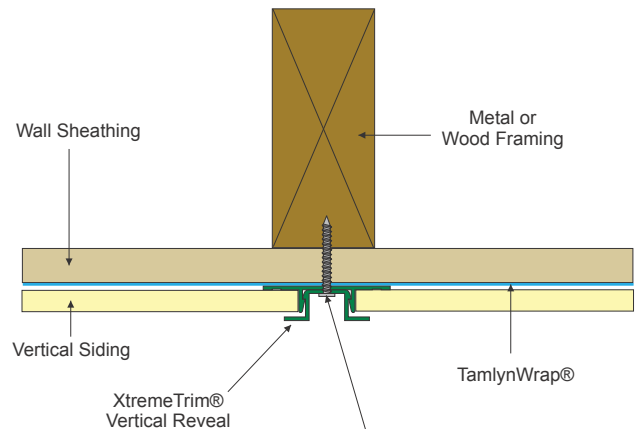
RVC51634



BRV58516 (Receiver)

ITEM ID	"A"	"B"	"C"	"D"	SIDING SIZE
RVC516	3/8"	1/2"	3/8"	--	5/16"
RVC716	3/8"	1/2"	7/16"	--	7/16"
RVC34	5/8"	1/2"	3/4"	--	3/4" or 5/16" Lap
RVC51634	3/8"	1/2"	3/4"	3/8"	5/16" to 3/4", 5/16" Lap
BRV58516	5/16"	5/8"	1-13/16"	--	5/16"

All parts are 10' Length unless otherwise indicated



**Best Practice Installation:**  
Insert self tap screw at top and bottom of each insert after tapping into place. Above 3 stories apply adhesive sealant into receiver before installing cap.