

Standard J-Mold

DESIGN FEATURES

Provides a clean finish at openings, edges of panels or planks and at material transitions. Specifically designed to work in conjunction with other XtremeTrim® profiles.

MATERIAL

6063-T5 .050" ± .005 extruded aluminum alloy with proprietary coating that protects against harsh weather conditions and allows for paint adhesion.

FINISH

Unless specified all XtremeTrim® items are provided in primed finish. Also available in popular siding/soffit colors in standard face only color match or full coverage CoastalColorCoating™. Clear Anodized is stocked and custom anodized is available (minimums apply).

NOTE

Do not install XtremeTrim® J mold on horizontal applications where the exterior flange can catch water.

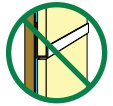
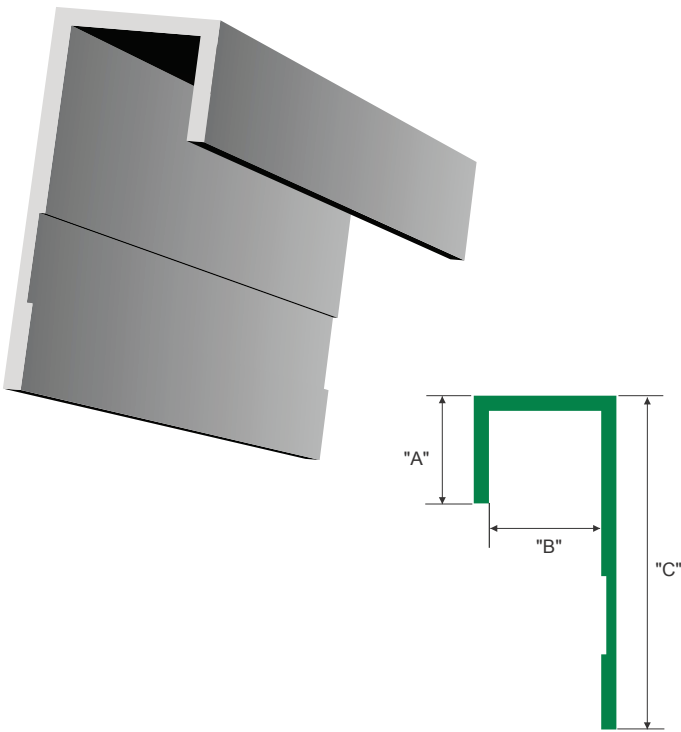


Illustration not to scale



ITEM ID	"A"	"B"	"C"	SIDING SIZE
JMH51610	3/8"	3/8"	1-1/16"	5/16"
JMH71610	3/8"	15/32"	1-1/16"	7/16"
JMH5810	3/8"	5/8"	1-1/4"	5/8"
JMH3410	5/8"	3/4"	1-1/8"	3/4", 5/16" Lap
JMH110	3/8"	1"	1-1/4"	1"
JMH15	3/8"	1-1/2"	1-3/8"	1-1/2"

All parts are 10' Length unless otherwise indicated

