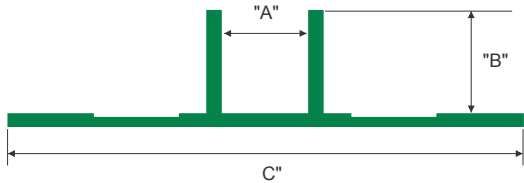
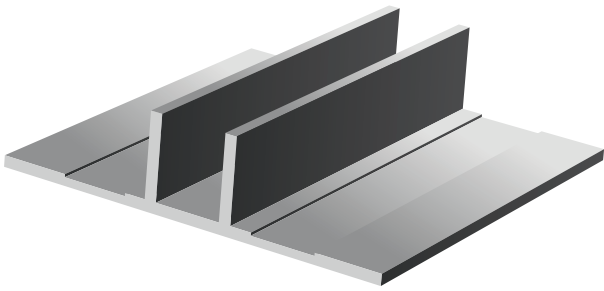
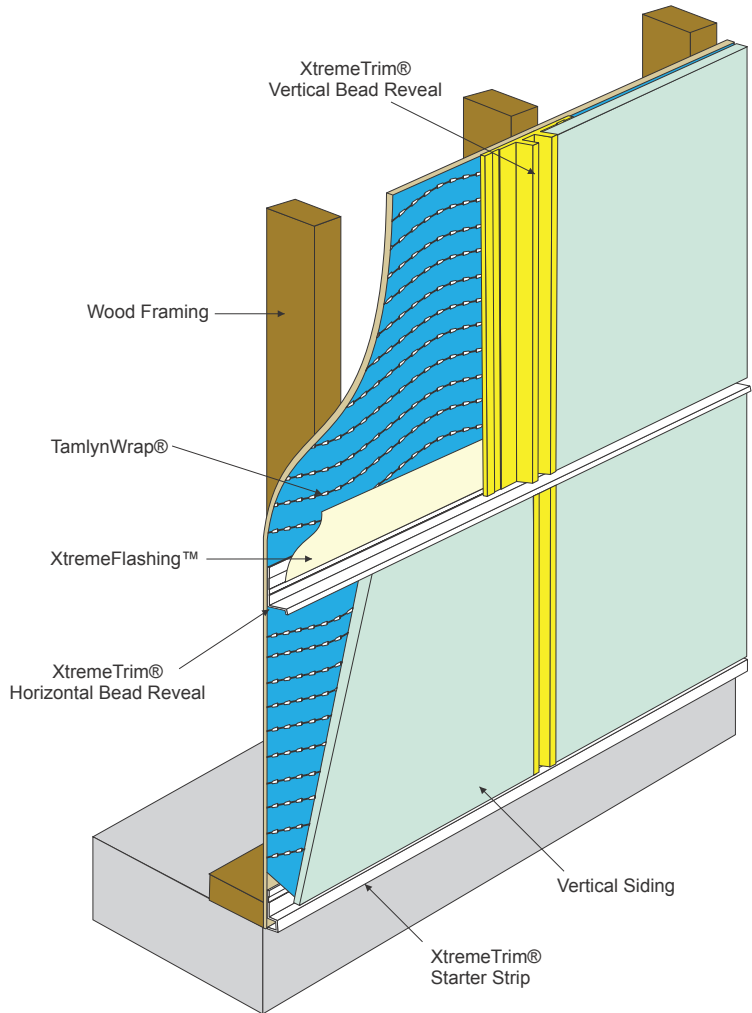
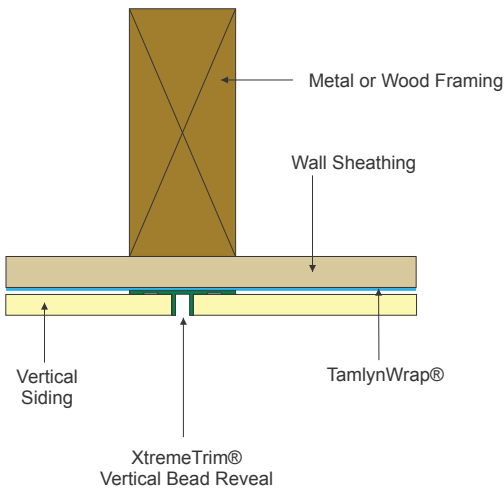


Vertical Bead Reveal



ITEM ID	"A"	"B"	"C"	SIDING SIZE
BRV14516	1/4"	5/16"	1-1/2"	5/16"
BRV12516	1/2"	5/16"	1-1/2"	5/16"
BRV121	1/2"	1"	2-1/2"	1"

All parts are 10' Length unless otherwise indicated



DESIGN FEATURES

XtremeTrim® Vertical Bead Reveal serves as an aesthetic expansion joint between panels. Works with all panel profiles/ finishes. A better, more appealing and secure solution to the "open wall" vertical joint look popular in many areas.

MATERIAL

6063-T5 .040" ± .005 extruded aluminum alloy with proprietary coating that protects against harsh weather conditions and allows for paint adhesion.

FINISH

Unless specified all XtremeTrim® items are provided in primed finish. Also available in popular siding/soffit colors in standard face only color match or full coverage CoastalColorCoating™. Clear Anodized is stocked and custom anodized is available (minimums apply).

NOTE

Use of the XtremeTrim® Vertical Bead Reveal at horizontal joints is not recommended.

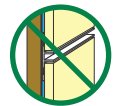


Illustration not to scale